

TechMaster



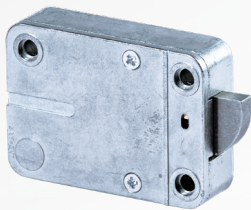
Features

Keypad

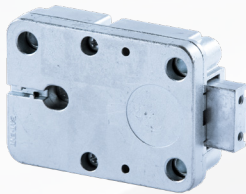
- Display 16x2
- Green/red LED
- Buzzer
- Battery compartment
- Keypad test
- Dallas reader
- Power:
 - 9V alkaline battery
 - large battery box
 - power supply

Locks

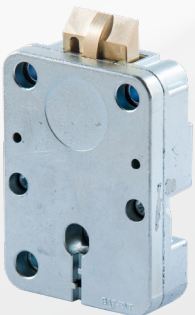
- 2 Master
- 2 Manager
- 1 Override Manager
- 89 users
- Dynamic codes
- Codes expiry
- Multi-lock system
- Time delay 1-99 minutes
- Open window 1-19 minutes
- Variable time delay
- Dallas keys
- Silent alarm
- Remote disable opening
- Remote time delay override
- Penalty
- Input/output interface
- Remote management (TCP/IP, RS485)
- Dual mode users in groups
- Up to 3 weekly time lock
- Opening and closing periods
- Immediate time lock
- Temporary time lock
- Automatic DST
- Audit trail with time and date (up to 6000 events)



RotoBolt



StraightBolt



SpringBolt



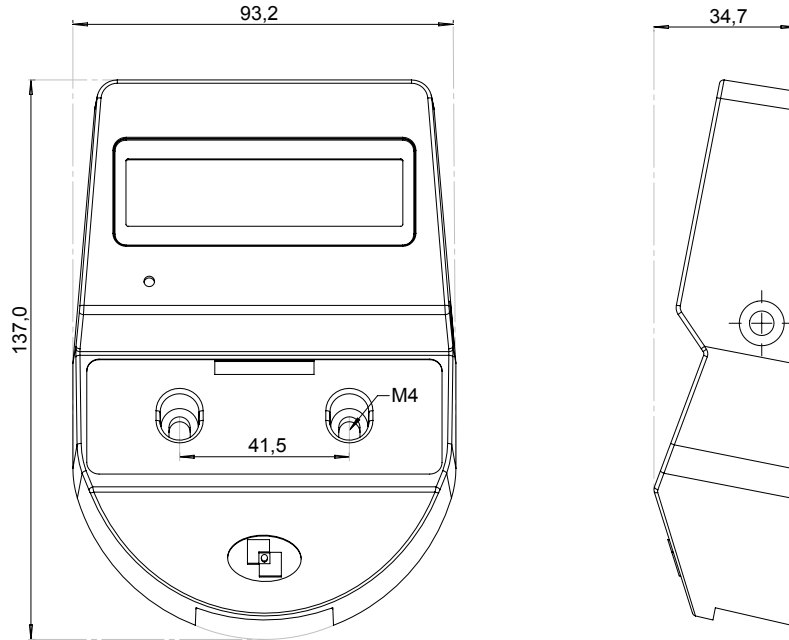
MotorLock



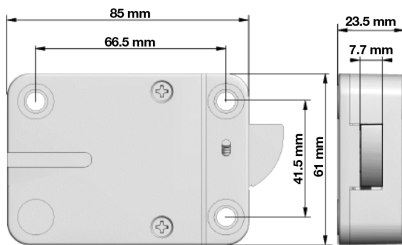
Motor SpringBolt

TechMaster

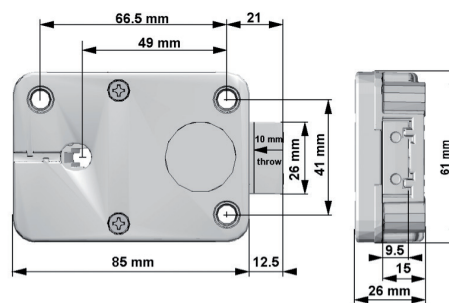
TechMaster



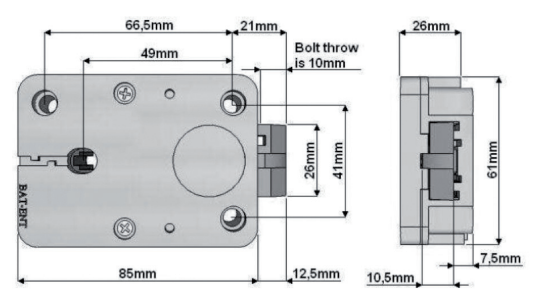
RotoBolt



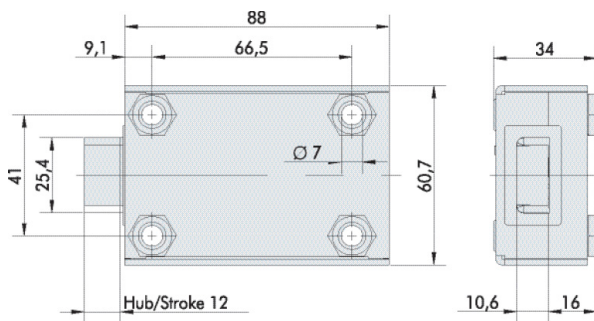
StraightBolt



SpringBolt



MotorLock



Motor SpringBolt

